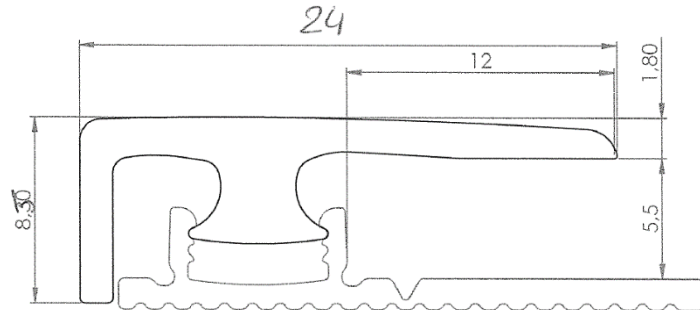


Quick-Step® Vinyl end Profile for Click (+) Floors



Product specifications

Quick-Step® Vinyl end profile for click (+) floors

NEVRENPSILVME200

Aluminium, silver tone

Dimensions 1 PC: 2000x8.5x24mm

Contents 1 PC: 1 aluminium end profile, 1 PVC subprofile.

Order quantity: per 1 PC in shrink-wrapping.

Product description

- This very slim and elegant profile can be used to cover the expansion joint between your Vinyl floor and e.g. a wall, window or threshold, or as a connection to a carpet.
- Can be used with **clicked (+) Vinyl** floors.
- Wear-resistant quality aluminium, silver tone.
- Installation with the supplied subprofile. Glue the sub-profile to the subfloor, then press the end profile into the subprofile.

Tip: use a hammer and e.g. the Quick-Step® tapping block as a help to press the end profile in the subprofile.